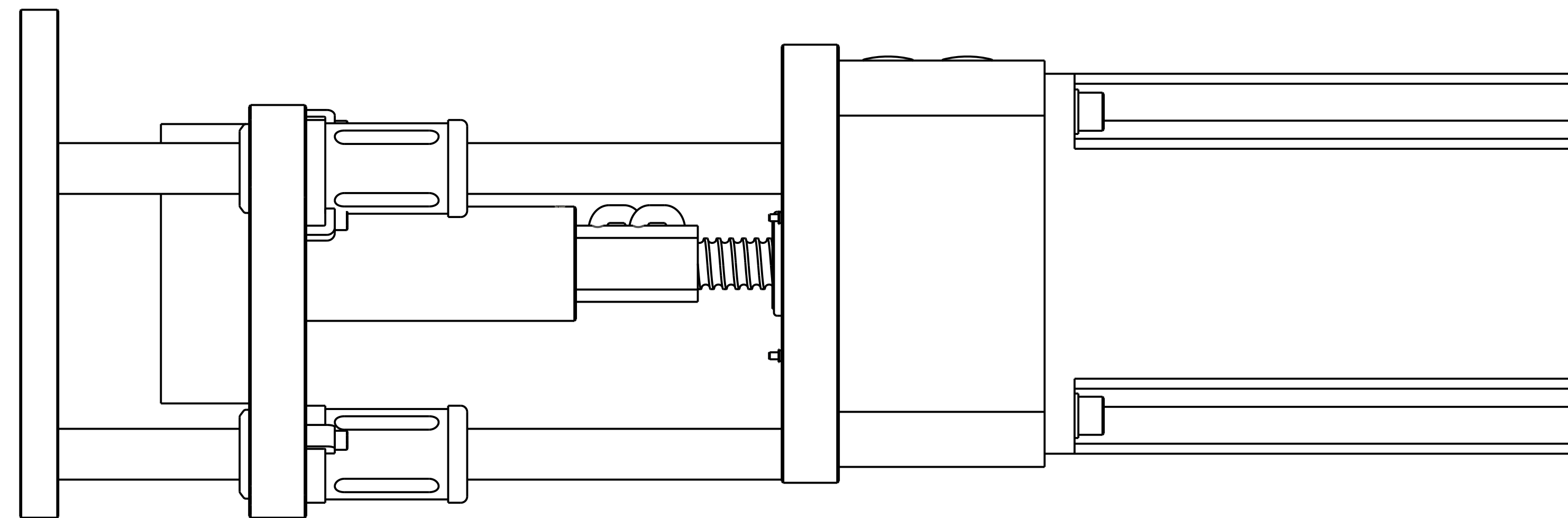
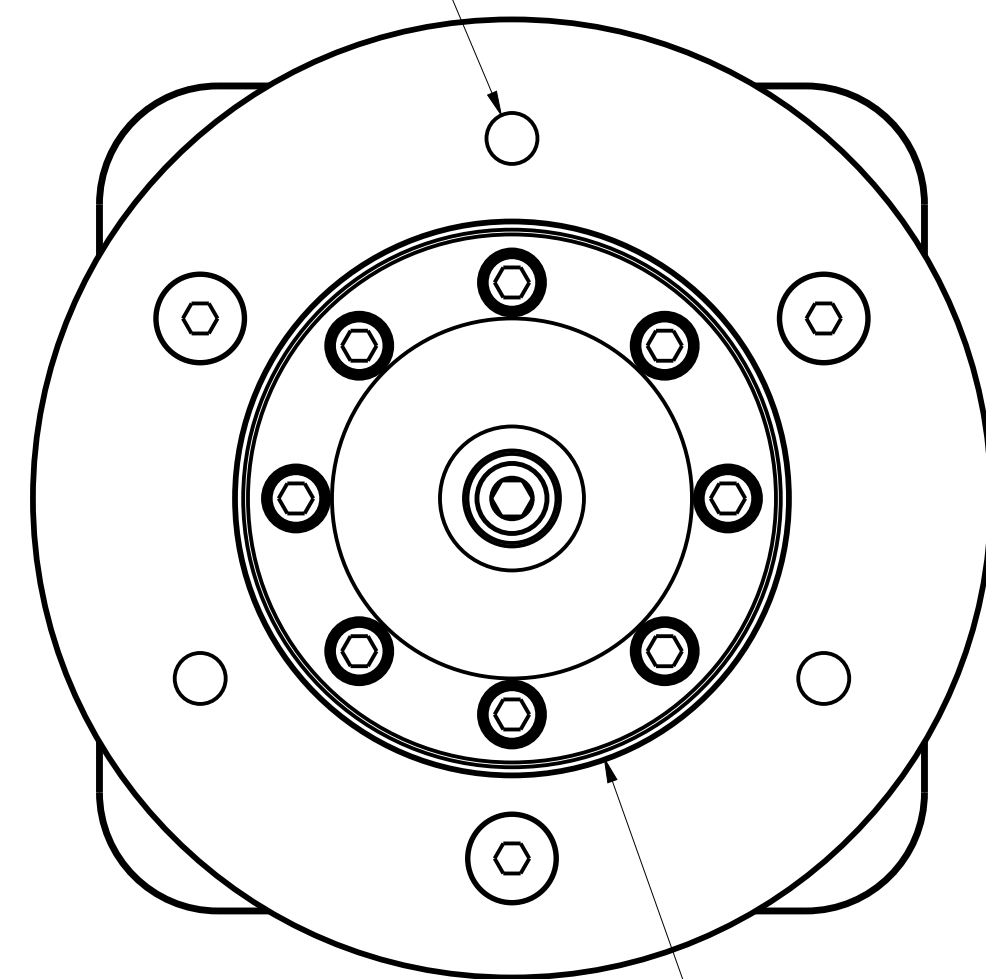


(3)  $\varnothing .531$  HOLES EQUALLY SPACED  
ON A 7.500 DIA. BOLT CIRCLE



SCALE 0.500

